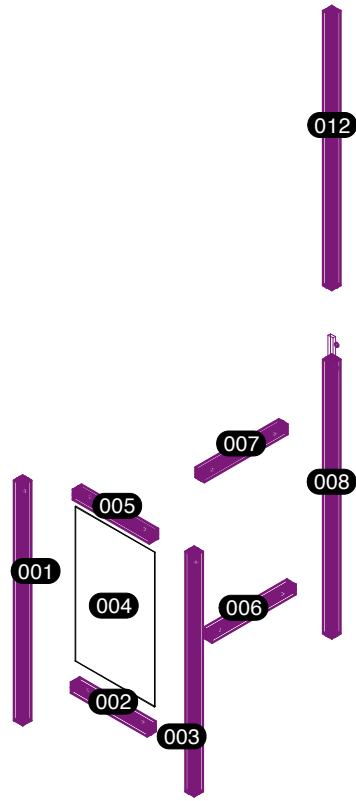


STEP 1

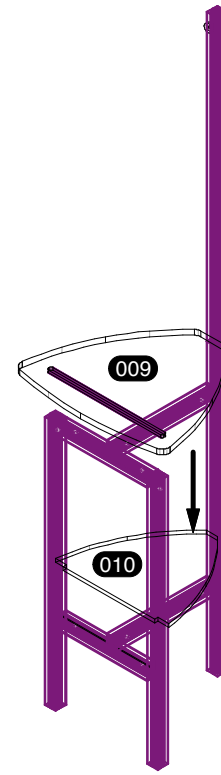
Attach upper post to the lower post as shown. Tighten splice screws with supplied tool.

Slide sintra or plex piece down into grooves of front posts.

Attach upper horizontal extrusion to inner top areas of posts. Engage locks with supplied tool, tightening 1/4 turn to the right.



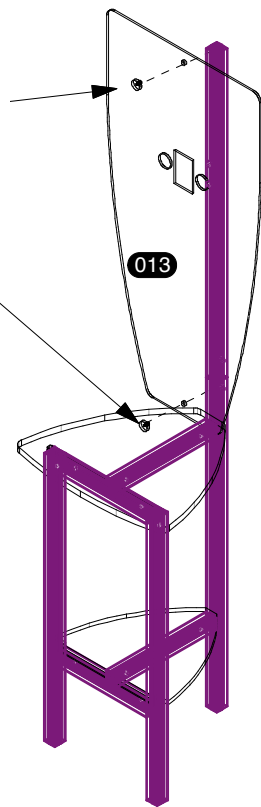
STEP 2



Place and connect counter to the front posts with extrusion locks. Tighten with wrench.

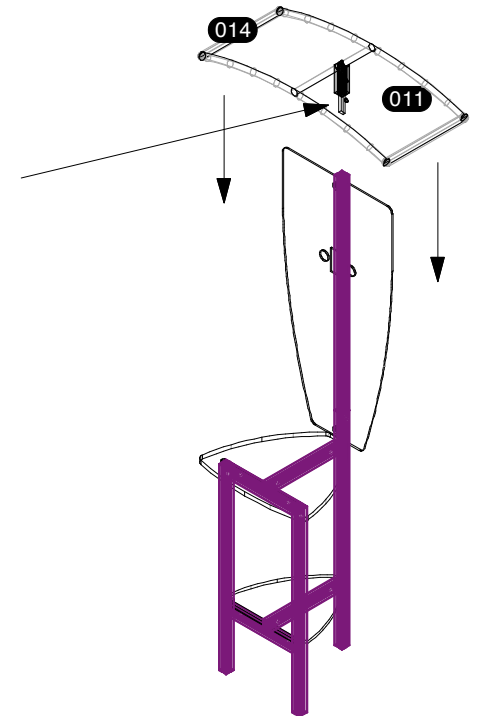
STEP 3

Attach sintra or plex panel using caps.



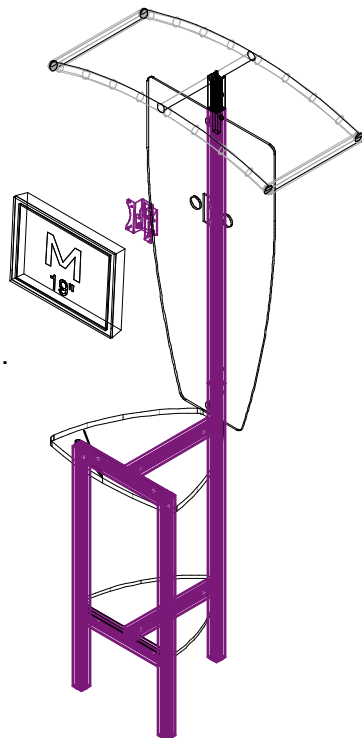
STEP 4

Attach canopy to post using splice.



STEP 5

Connect monitor to center post as shown. Engage locks with supplied tool, tightening 1/4 turn to the right.



STEP 6

Kiosk shown here completed.

Use plastic extrusion pieces to conceal any exposed power, monitor or USB cords by threading cables through extrusion, and clipping to the back side of the posts.

