

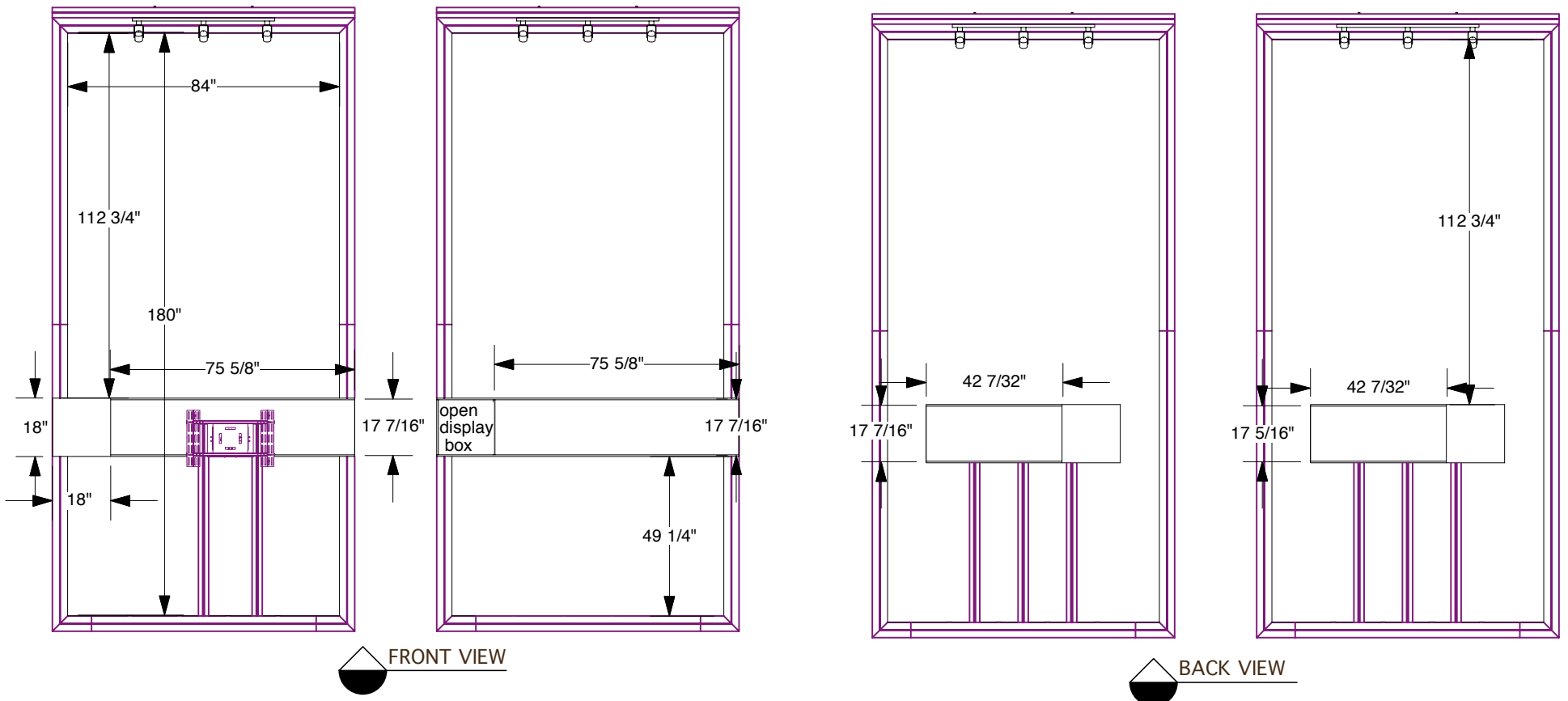
Solar A 20X20

TOWER 1 (FRONT)

TOWER 2 (FRONT)

TOWER 1 (BACK)

TOWER 2 (BACK)

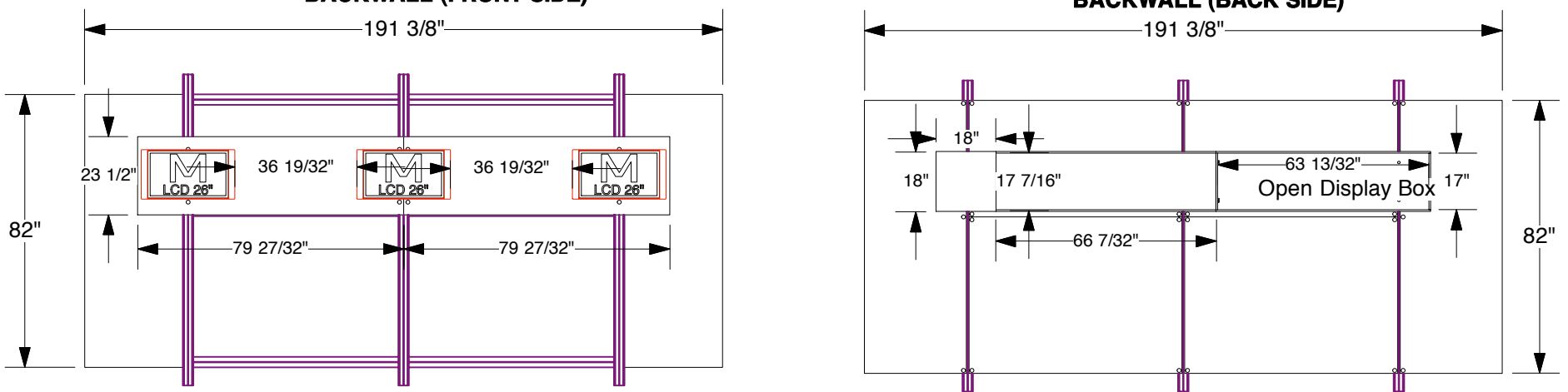


FRONT VIEW

BACK VIEW

BACKWALL (FRONT SIDE)

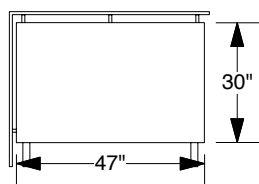
BACKWALL (BACK SIDE)



FRONT VIEW

BACK VIEW

RECEPTION COUNTER



FRONT VIEW

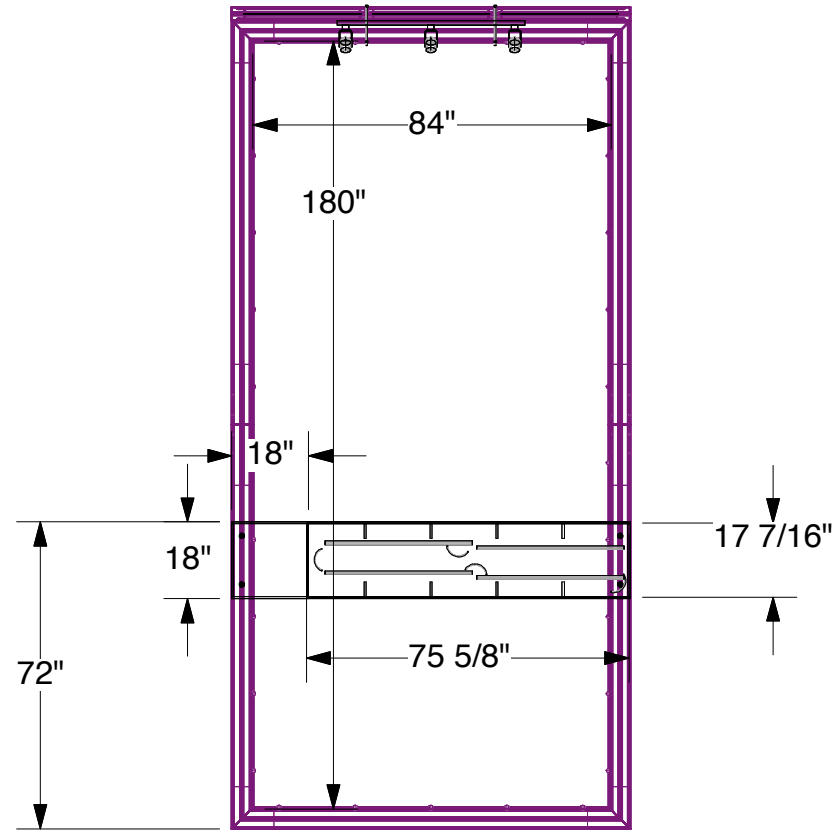
Graphics (as depicted on the renderings):

- Qty 4 - Fabric Graphic (for towers), 84" W X 180" H
- Qty 2 - Backlit Graphic (for tower lightbox-mounted), 75 5/8" W X 17 7/16" H
- Qty 3 - Graphic on Sintra (for tower lightbox-mounted), 18" W X 18" H
- Qty 2 - Backlit Graphic (for tower lightbox with poles), 42 7/32" W X 17 7/16" H
- Qty 2 - Graphic on Sintra (on backwall, behind monitors), 79 27/32" W X 23 1/2" H
- Qty 1 - Backlit Graphic (on backwall-back side), 66 7/32" W X 17 7/16" H
- Qty 1 - Graphic on Sintra (on backwall-back side), 18" W X 18" H
- Qty 1 - Reception Counter, 47" W X 30" H

Notes:

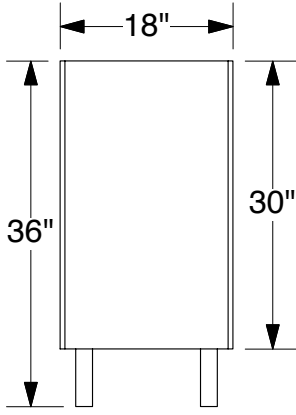
- * Please add 1" bleed on each side of tower fabric graphic (for sewing purposes).
Overall fabric dims with bleed: 86" W X 182" H
- * Please add 1/4" bleed on each side of backlit graphic, graphic on sintra and counter (for cutting purposes).

Solar A Tower with Lightbox

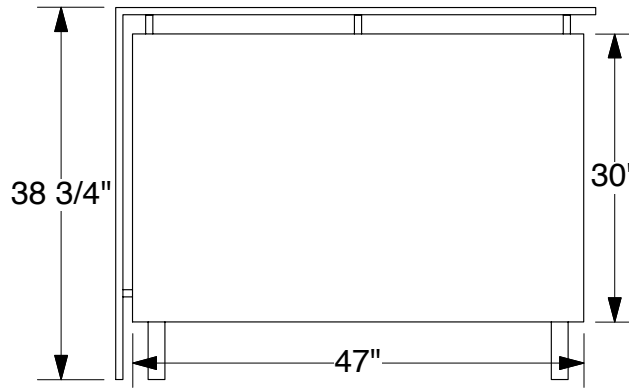


SOLAR A
Counters

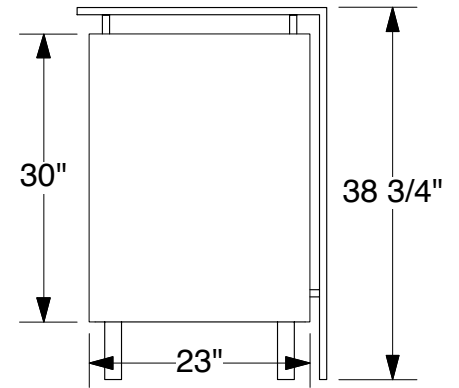
FRONT VIEW



Pedestal counter
49 lbs

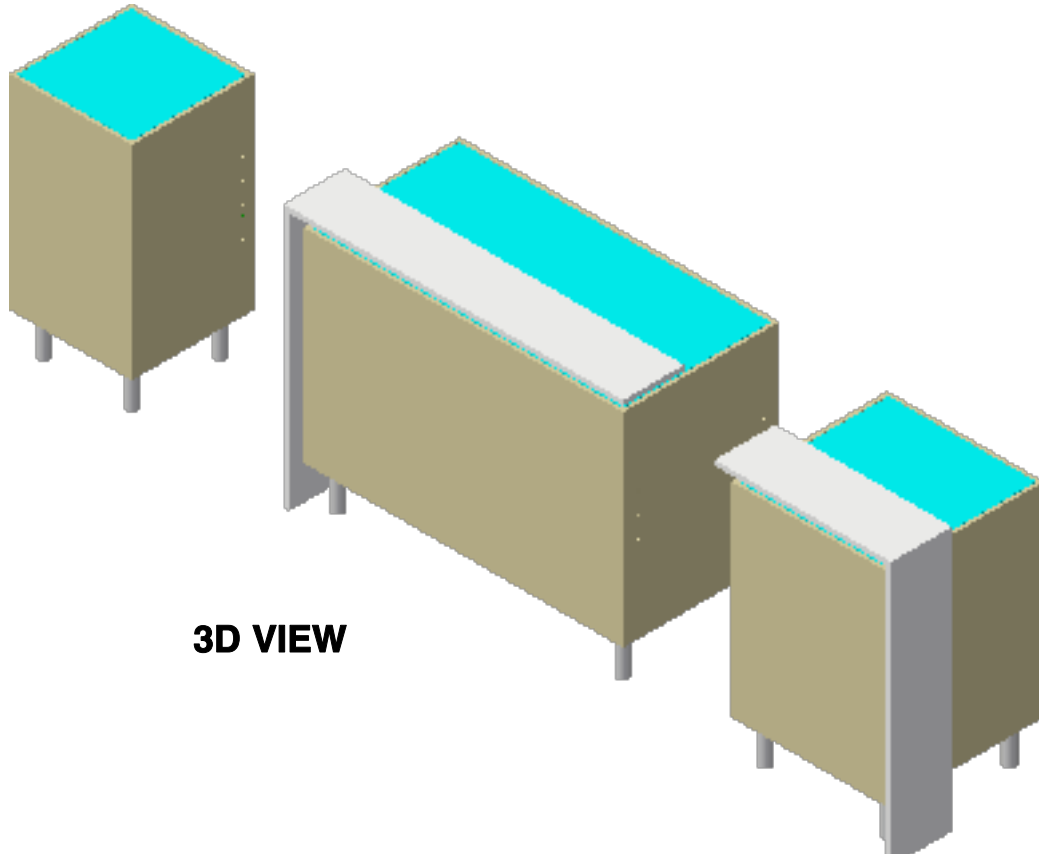
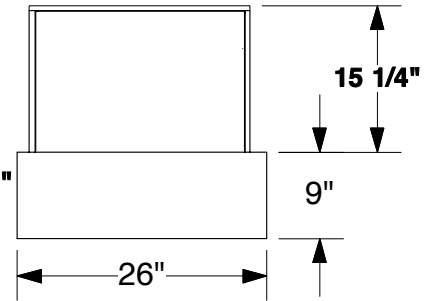
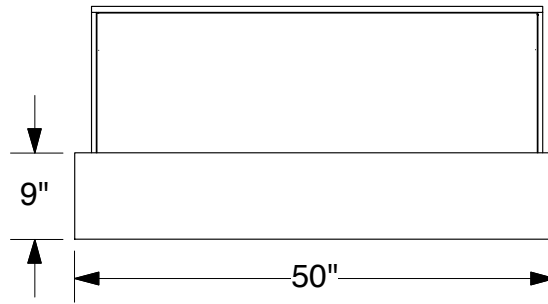
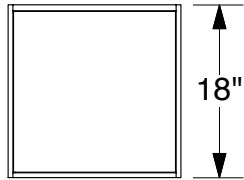


Reception counter
78 lbs

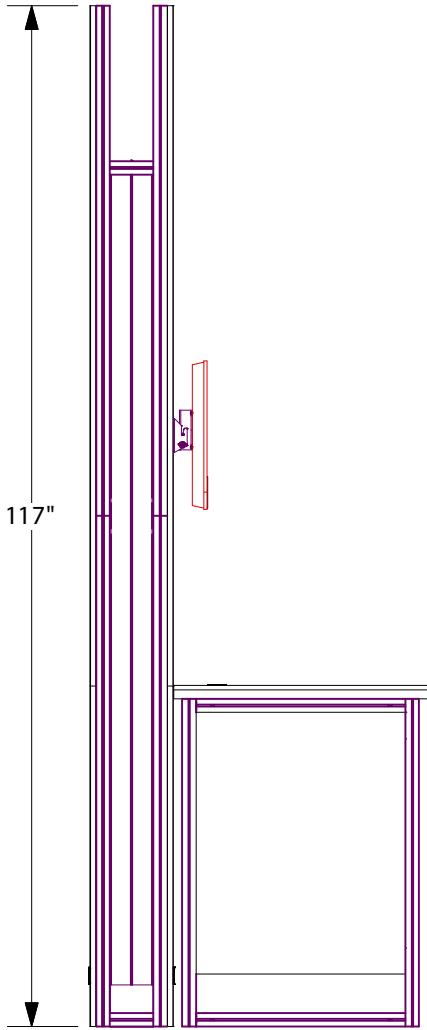


Backwall counter
63 lbs

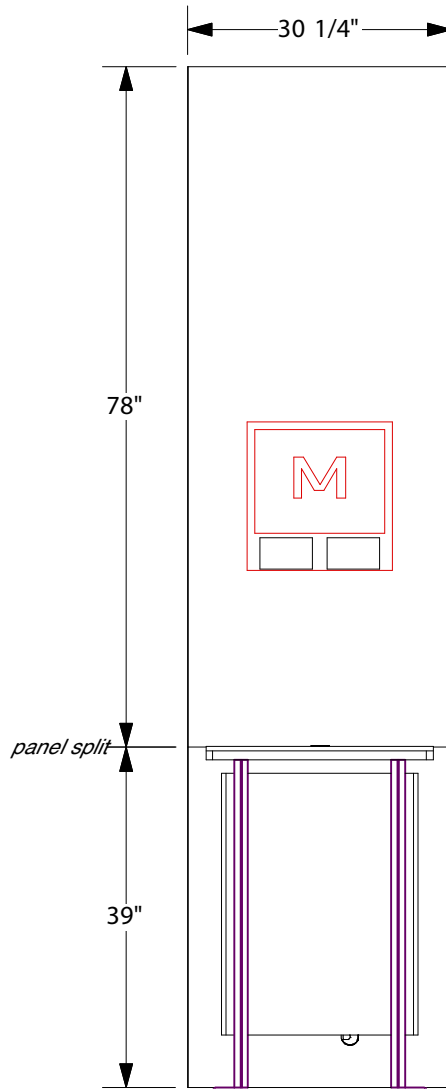
TOP VIEW



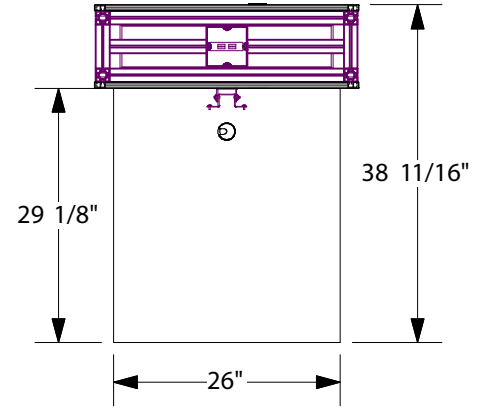
3D VIEW



SIDE VIEW



FRONT VIEW



TOP VIEW



3D VIEW